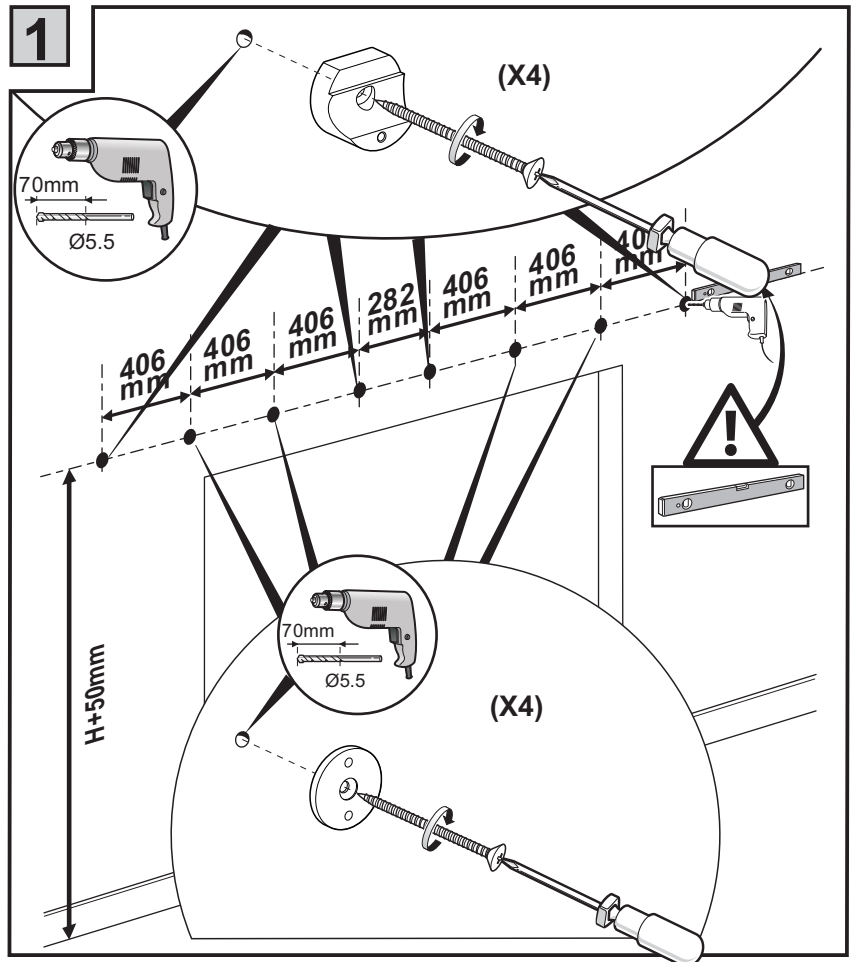
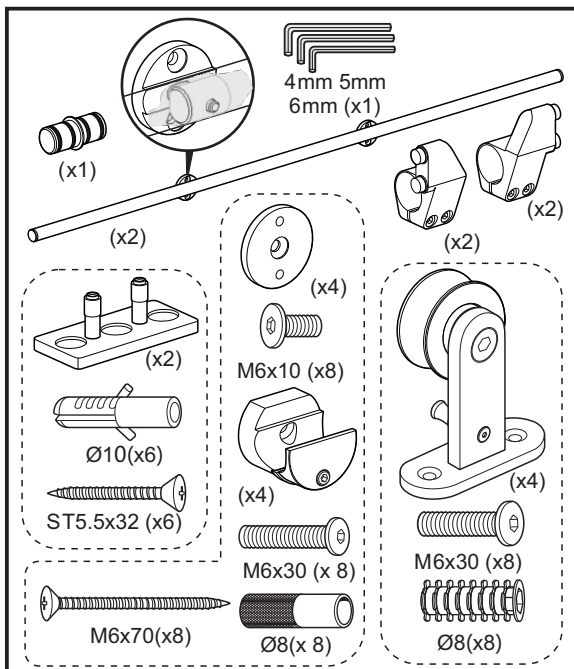
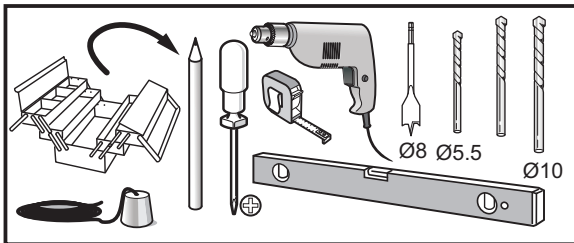
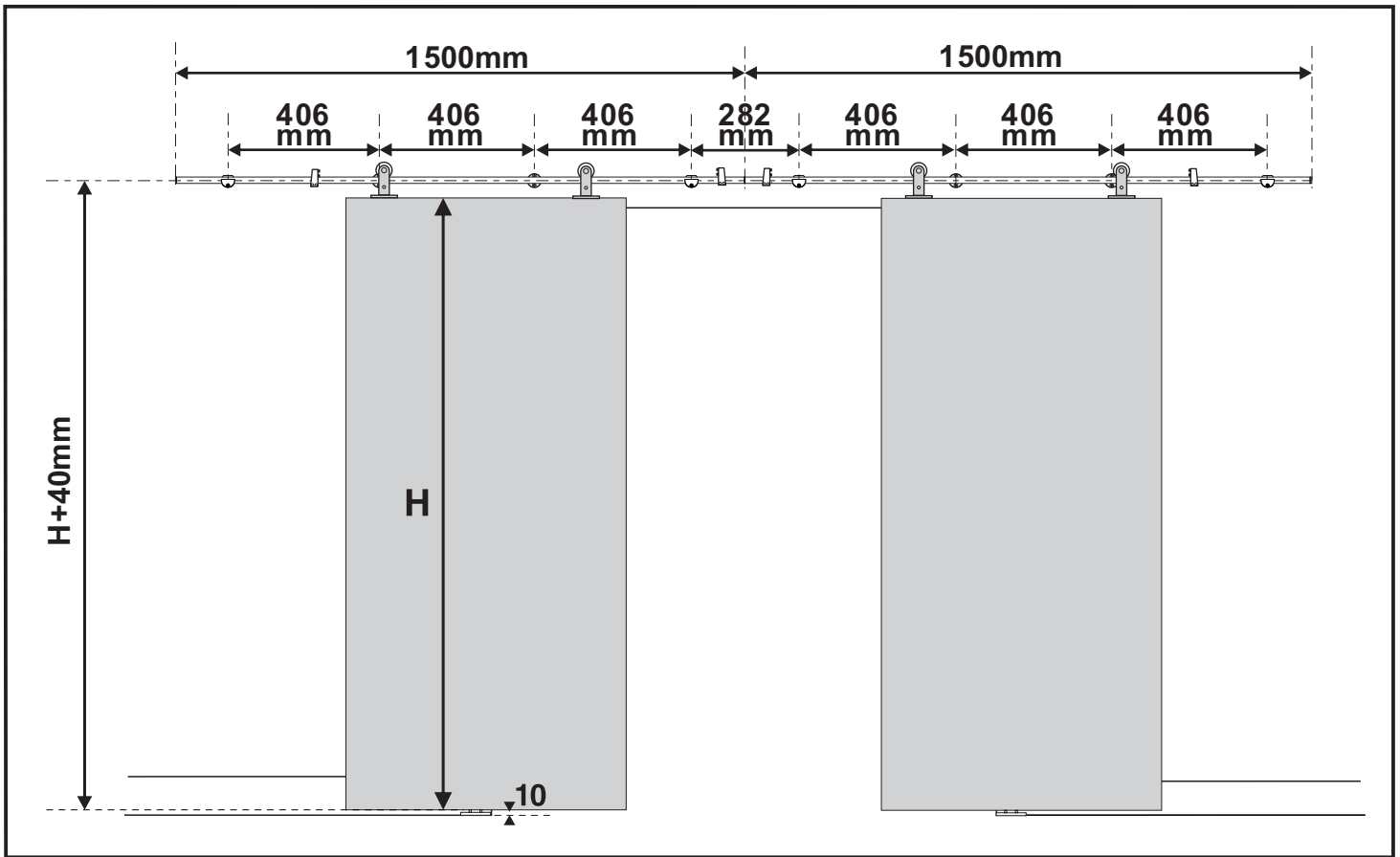
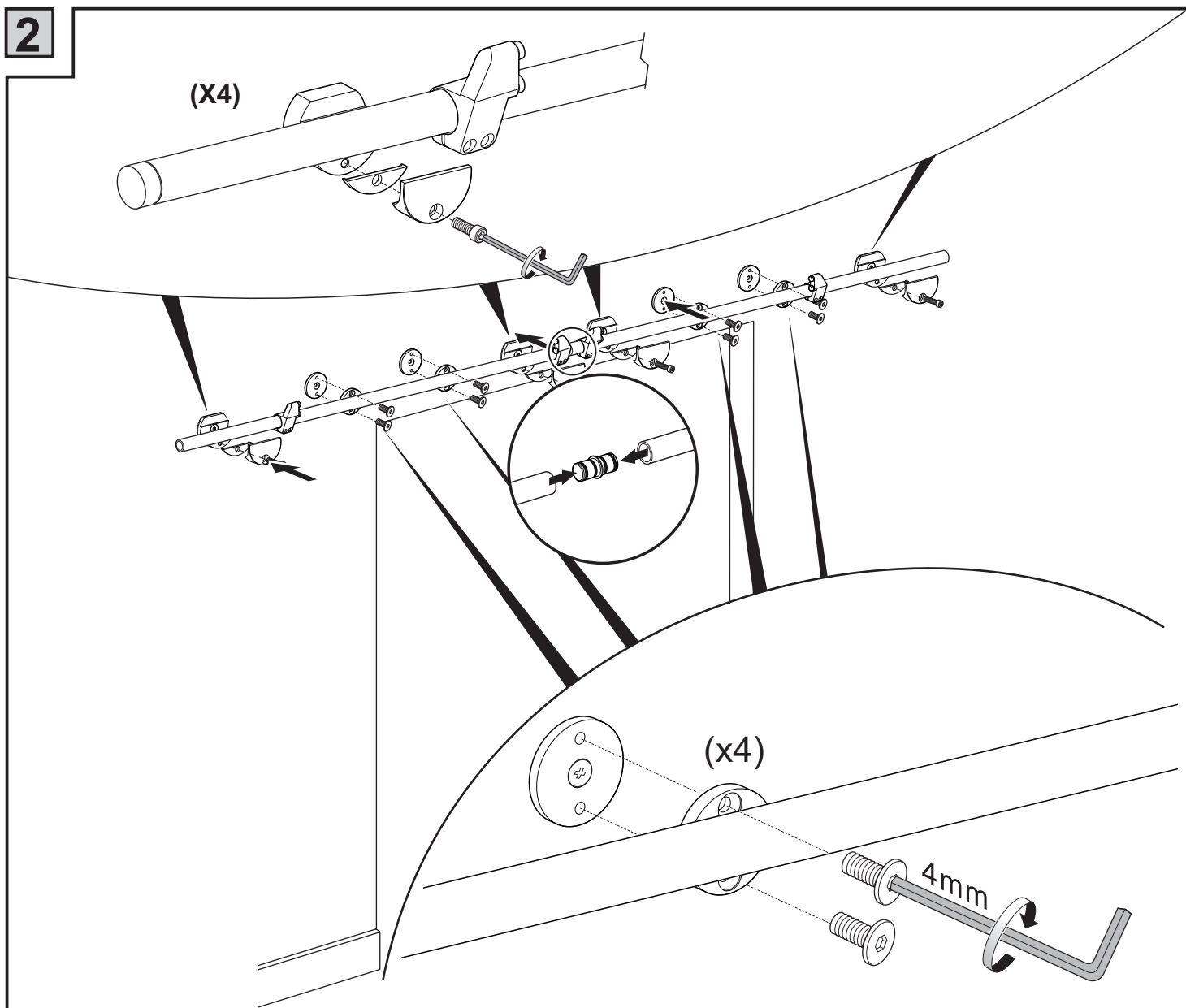


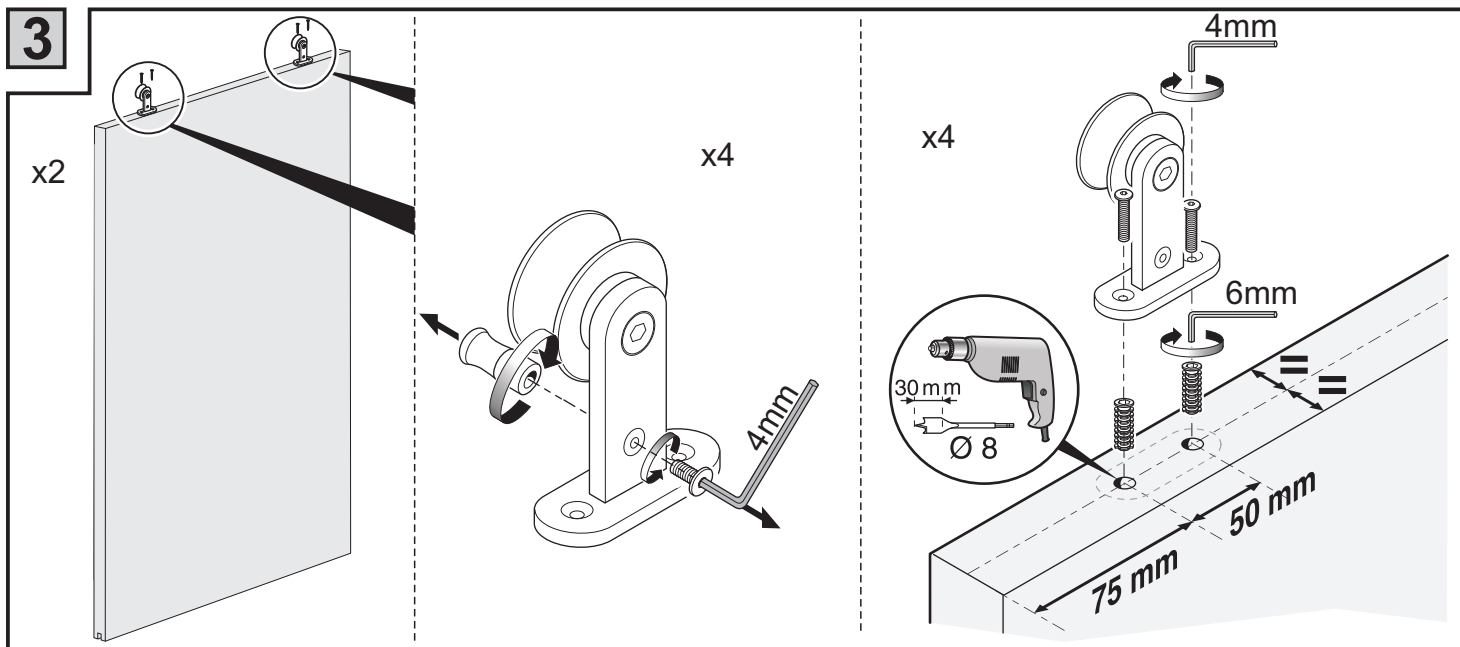
Installation Manual



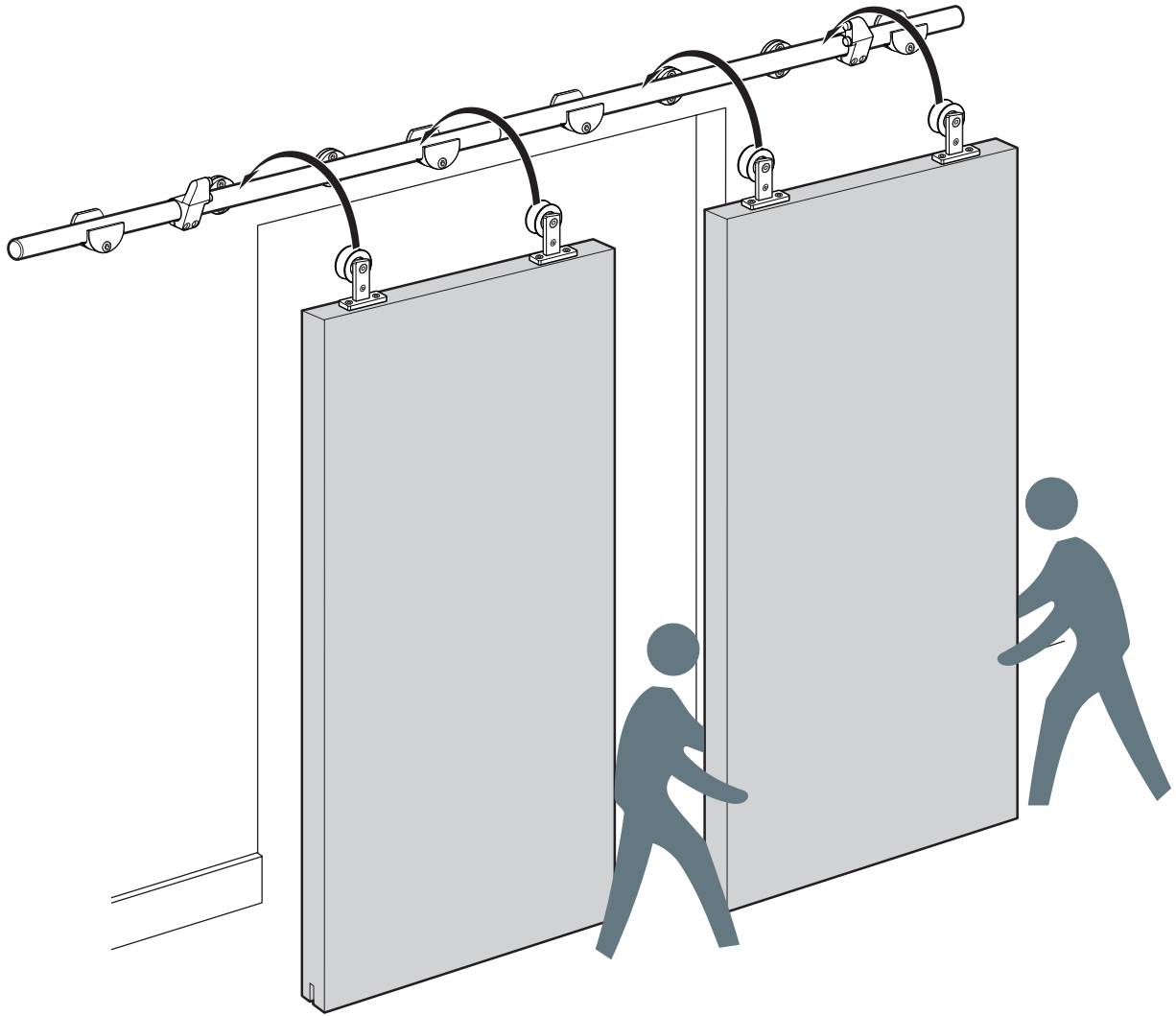
2



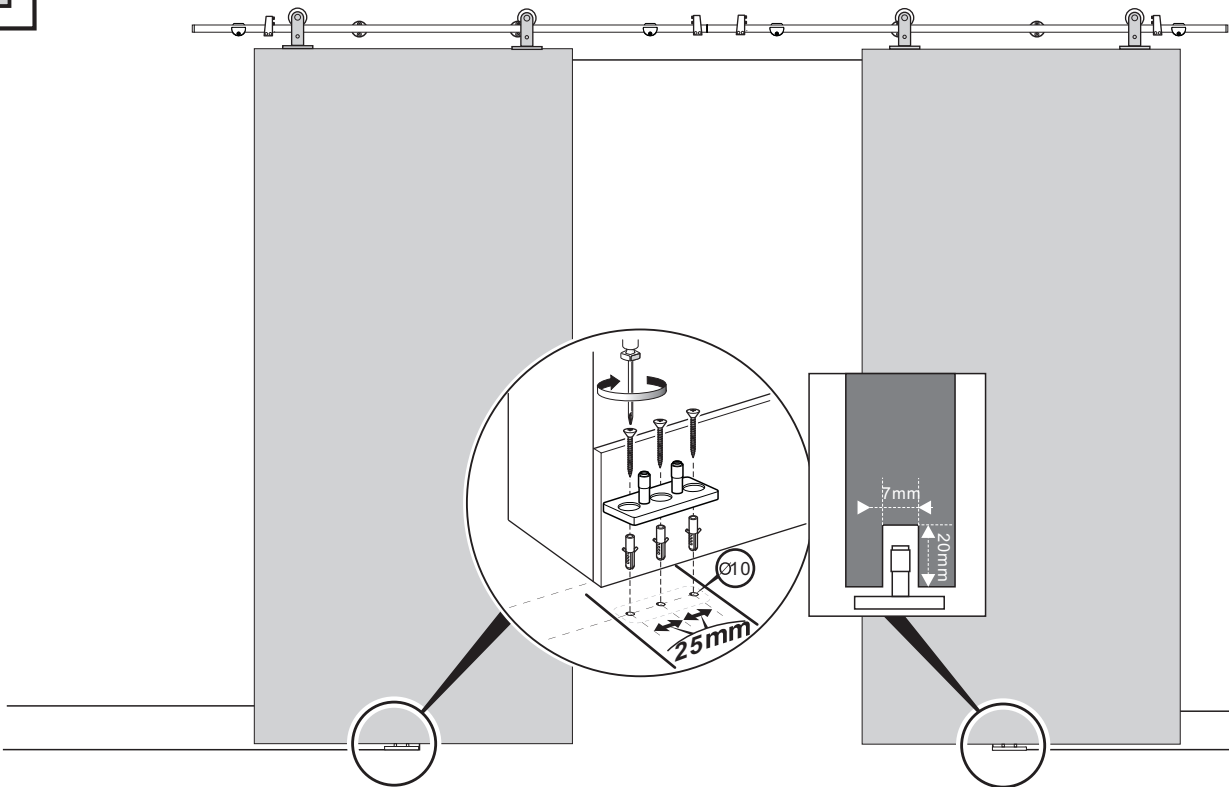
3

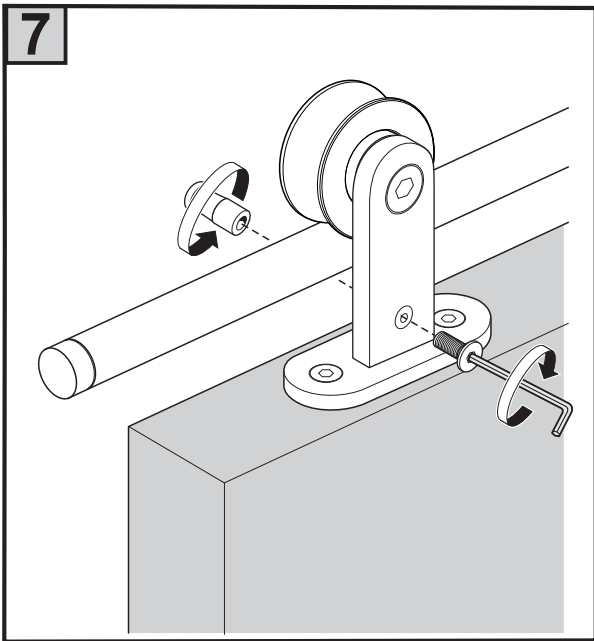
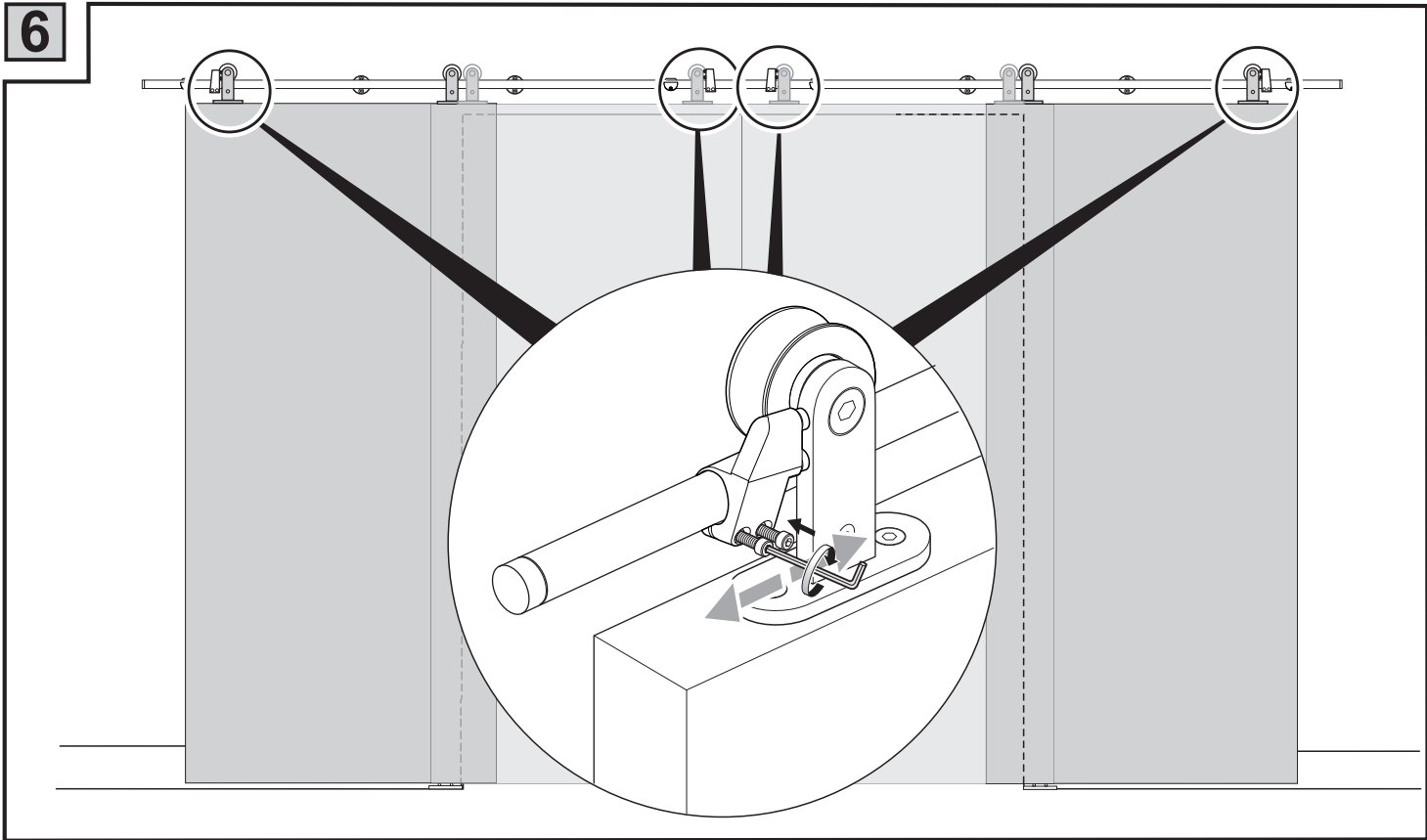


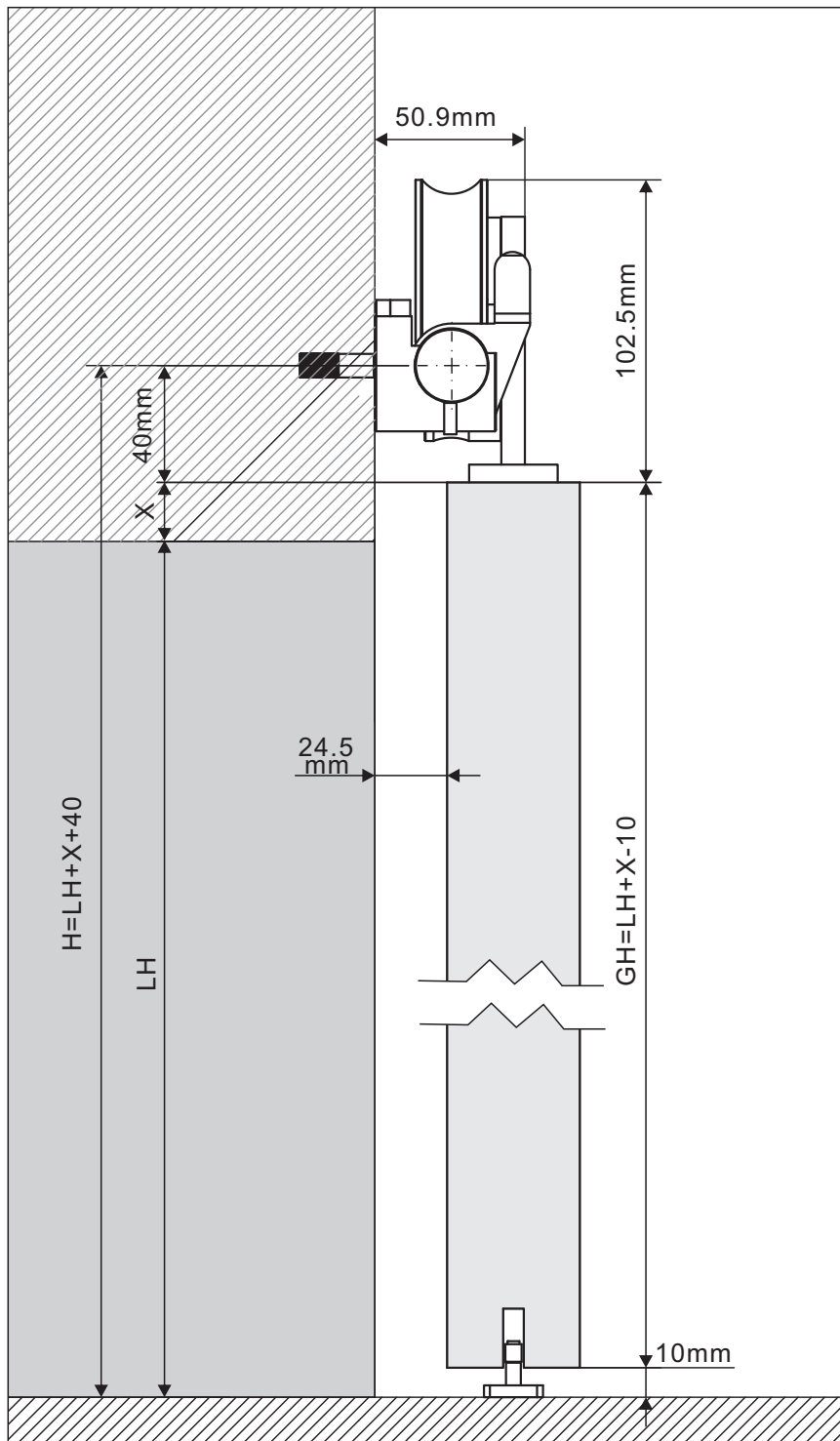
4



5







Features and Data

28.29.452-0

For installation with double door panel, Wall mounted.

For 35-45mm panel thickness.

Max. weight of door panel: 160 kg for double door;

Calculation of door height: $GH = LH + X - 10$

GH=Door height

H=Distance holes center for rail to ground

LH=Clear opening height

X=Distance door panel top side to opening upper side